



SmarterGlass

state-of-the-art display solutions

www.smarterglass.com
978 997 4104
sales@smarterglass.com



Product Specification

M190EG01 V0

AU OPTRONICS CORPORATION

(V) Preliminary Specification

() Final Specification

Module	19.0" SXGA Color TFT-LCD
Model Name	M190EG01 V0

Customer	Date
_____	_____
Approved by	
_____	_____

Note: This Specification is subject to change without notice.

Checked & Approved by	Date
<u>CC Chiu</u>	<u>August 14, 2005</u>
Prepared by	
<u>Belinda Chen</u>	<u>August 14, 2005</u>

Desktop Display Business Group /
AU Optronics corporation



Contents

1. Handling Precautions	4
2. General Description	5
2.1 Display Characteristics	6
3. Functional Block Diagram	12
4. Absolute Maximum Ratings	13
4.1 Absolute Ratings of TFT LCD Module	13
4.2 Absolute Ratings of Backlight Unit	13
4.3 Absolute Ratings of Environment.....	13
5. Electrical characteristics	15
5.1 TFT LCD Module	15
5.2 Backlight Unit.....	16
6. Signal Characteristic	17
6.1 Pixel Format Image.....	17
6.2 The Input Data Format.....	18
6.4 Interface Timing.....	20
6.5 Power ON/OFF Sequence.....	22
7. Connector & Pin Assignment	23
7.1 TFT LCD Module	23
7.2 Backlight Unit.....	24
8. Reliability Test	25
9. Shipping Label	26
10. Mechanical Characteristic	27



Record of Revision

Version & Date	Page	Old Description	New Description	Remark																																																																																																													
0.1 2005/8/14	All	First Edition for Customer																																																																																																															
0.2 2005/9/06	6	Active Area 396 (H) x 324 (V)	Active Area 396.32 (H) x 301.056 (V)	Revised																																																																																																													
	6	Power Consumption TBD W(Typ)	Power Consumption 28 W(Typ)	Add																																																																																																													
	6	Weight 2,700(Max)	Weight 2,500 (Typ) ; 2,700(Max)	Add																																																																																																													
	7	Response time	Response time <table border="1"> <tr> <td> Rising</td> <td>15</td> <td>25</td> <td>45</td> </tr> <tr> <td> Falling</td> <td>5</td> <td>15</td> <td>45</td> </tr> <tr> <td> Rising + Falling</td> <td>20</td> <td>40</td> <td>45</td> </tr> </table>	Rising	15	25	45	Falling	5	15	45	Rising + Falling	20	40	45	Add																																																																																																	
Rising	15	25	45																																																																																																														
Falling	5	15	45																																																																																																														
Rising + Falling	20	40	45																																																																																																														
	16	5.2 Backlight Unit <table border="1"> <tr> <td>COFL Ignition Voltage (COFL, Tan 87°)</td> <td>1800</td> <td>-</td> <td>-</td> </tr> <tr> <td>COFL Ignition Voltage (COFL, Tan 257°)</td> <td>1800</td> <td>-</td> <td>-</td> </tr> <tr> <td>COFL Operation Voltage (COFL)</td> <td>-</td> <td>TBD</td> <td>TBD</td> </tr> <tr> <td>COFL Power Consumption (COFL)</td> <td>-</td> <td>TBD</td> <td>TBD</td> </tr> </table>	COFL Ignition Voltage (COFL, Tan 87°)	1800	-	-	COFL Ignition Voltage (COFL, Tan 257°)	1800	-	-	COFL Operation Voltage (COFL)	-	TBD	TBD	COFL Power Consumption (COFL)	-	TBD	TBD	5.2 Backlight Unit <table border="1"> <tr> <td>COFL Ignition Voltage (COFL, Tan 87°)</td> <td>1800</td> <td>-</td> <td>-</td> </tr> <tr> <td>COFL Ignition Voltage (COFL, Tan 257°)</td> <td>1800</td> <td>-</td> <td>-</td> </tr> <tr> <td>COFL Operation Voltage (COFL)</td> <td>-</td> <td>435</td> <td>790</td> </tr> <tr> <td>COFL Power Consumption (COFL)</td> <td>-</td> <td>0.97 2mA</td> <td>0.96mA</td> </tr> <tr> <td>COFL Power Consumption (COFL)</td> <td>-</td> <td>1.95</td> <td>30.30</td> </tr> </table>	COFL Ignition Voltage (COFL, Tan 87°)	1800	-	-	COFL Ignition Voltage (COFL, Tan 257°)	1800	-	-	COFL Operation Voltage (COFL)	-	435	790	COFL Power Consumption (COFL)	-	0.97 2mA	0.96mA	COFL Power Consumption (COFL)	-	1.95	30.30	Add																																																																									
COFL Ignition Voltage (COFL, Tan 87°)	1800	-	-																																																																																																														
COFL Ignition Voltage (COFL, Tan 257°)	1800	-	-																																																																																																														
COFL Operation Voltage (COFL)	-	TBD	TBD																																																																																																														
COFL Power Consumption (COFL)	-	TBD	TBD																																																																																																														
COFL Ignition Voltage (COFL, Tan 87°)	1800	-	-																																																																																																														
COFL Ignition Voltage (COFL, Tan 257°)	1800	-	-																																																																																																														
COFL Operation Voltage (COFL)	-	435	790																																																																																																														
COFL Power Consumption (COFL)	-	0.97 2mA	0.96mA																																																																																																														
COFL Power Consumption (COFL)	-	1.95	30.30																																																																																																														
	20	6.4.1 Timing Characteristics <table border="1"> <thead> <tr> <th>Signal</th> <th>Item</th> <th>Symbol</th> <th>Min.</th> <th>Typ.</th> <th>Max.</th> <th>Unit</th> </tr> </thead> <tbody> <tr> <td rowspan="3">Vertical Section</td> <td>Address</td> <td>T₁ to T₂</td> <td>100</td> <td>-</td> <td>200</td> <td>ns</td> </tr> <tr> <td>Enable</td> <td>T₁ to T₂</td> <td>200</td> <td>200</td> <td>200</td> <td>ns</td> </tr> <tr> <td>Pixel</td> <td>T₁ to T₂</td> <td>11</td> <td>-</td> <td>200</td> <td>ns</td> </tr> <tr> <td rowspan="3">Horizontal Section</td> <td>Address</td> <td>T₁ to T₂</td> <td>440</td> <td>440</td> <td>440</td> <td>ns</td> </tr> <tr> <td>Enable</td> <td>T₁ to T₂</td> <td>80</td> <td>-</td> <td>300</td> <td>ns</td> </tr> <tr> <td>Pixel</td> <td>T₁ to T₂</td> <td>12</td> <td>-</td> <td>80</td> <td>ns</td> </tr> <tr> <td rowspan="3">Clock</td> <td>Frequency</td> <td>F</td> <td>30</td> <td>-</td> <td>83</td> <td>MHz</td> </tr> <tr> <td>Phase</td> <td>φ</td> <td>50</td> <td>48</td> <td>15</td> <td>deg</td> </tr> <tr> <td>Frequency</td> <td>F</td> <td>50</td> <td>48</td> <td>15</td> <td>MHz</td> </tr> </tbody> </table>	Signal	Item	Symbol	Min.	Typ.	Max.	Unit	Vertical Section	Address	T ₁ to T ₂	100	-	200	ns	Enable	T ₁ to T ₂	200	200	200	ns	Pixel	T ₁ to T ₂	11	-	200	ns	Horizontal Section	Address	T ₁ to T ₂	440	440	440	ns	Enable	T ₁ to T ₂	80	-	300	ns	Pixel	T ₁ to T ₂	12	-	80	ns	Clock	Frequency	F	30	-	83	MHz	Phase	φ	50	48	15	deg	Frequency	F	50	48	15	MHz	6.4.1 Timing Characteristics <table border="1"> <thead> <tr> <th>Item</th> <th>Symbol</th> <th>Min.</th> <th>Typ.</th> <th>Max.</th> <th>Unit</th> </tr> </thead> <tbody> <tr> <td rowspan="2">Data CLK</td> <td>T₁</td> <td>30</td> <td>54</td> <td>80</td> <td>MHz</td> </tr> <tr> <td>T₂</td> <td>300</td> <td>540</td> <td>1000</td> <td>ns</td> </tr> <tr> <td rowspan="2">H-enable</td> <td>T₁</td> <td>80</td> <td>80</td> <td>80</td> <td>ns</td> </tr> <tr> <td>T₂</td> <td>1000</td> <td>1000</td> <td>2000</td> <td>ns</td> </tr> <tr> <td rowspan="2">V-enable</td> <td>T₁</td> <td>1000</td> <td>1000</td> <td>1000</td> <td>ns</td> </tr> <tr> <td>T₂</td> <td>1000</td> <td>1000</td> <td>1000</td> <td>ns</td> </tr> <tr> <td>Frame Rate</td> <td>F</td> <td>30</td> <td>30</td> <td>75</td> <td>Hz</td> </tr> </tbody> </table>	Item	Symbol	Min.	Typ.	Max.	Unit	Data CLK	T ₁	30	54	80	MHz	T ₂	300	540	1000	ns	H-enable	T ₁	80	80	80	ns	T ₂	1000	1000	2000	ns	V-enable	T ₁	1000	1000	1000	ns	T ₂	1000	1000	1000	ns	Frame Rate	F	30	30	75	Hz	Revised
Signal	Item	Symbol	Min.	Typ.	Max.	Unit																																																																																																											
Vertical Section	Address	T ₁ to T ₂	100	-	200	ns																																																																																																											
	Enable	T ₁ to T ₂	200	200	200	ns																																																																																																											
	Pixel	T ₁ to T ₂	11	-	200	ns																																																																																																											
Horizontal Section	Address	T ₁ to T ₂	440	440	440	ns																																																																																																											
	Enable	T ₁ to T ₂	80	-	300	ns																																																																																																											
	Pixel	T ₁ to T ₂	12	-	80	ns																																																																																																											
Clock	Frequency	F	30	-	83	MHz																																																																																																											
	Phase	φ	50	48	15	deg																																																																																																											
	Frequency	F	50	48	15	MHz																																																																																																											
Item	Symbol	Min.	Typ.	Max.	Unit																																																																																																												
Data CLK	T ₁	30	54	80	MHz																																																																																																												
	T ₂	300	540	1000	ns																																																																																																												
H-enable	T ₁	80	80	80	ns																																																																																																												
	T ₂	1000	1000	2000	ns																																																																																																												
V-enable	T ₁	1000	1000	1000	ns																																																																																																												
	T ₂	1000	1000	1000	ns																																																																																																												
Frame Rate	F	30	30	75	Hz																																																																																																												
	23	6.5 Power ON/OFF Sequence <table border="1"> <thead> <tr> <th>Parameter</th> <th>Min.</th> <th>Typ.</th> <th>Max.</th> <th>Unit</th> </tr> </thead> <tbody> <tr> <td>T1</td> <td>0.1</td> <td>-</td> <td>10</td> <td>ms</td> </tr> <tr> <td>T2</td> <td>0.1</td> <td>40</td> <td>50</td> <td>ms</td> </tr> <tr> <td>T3</td> <td>20</td> <td>-</td> <td>-</td> <td>ms</td> </tr> <tr> <td>T4</td> <td>20</td> <td>-</td> <td>-</td> <td>ms</td> </tr> <tr> <td>T5</td> <td>0</td> <td>0</td> <td>50</td> <td>ms</td> </tr> <tr> <td>T6</td> <td>-</td> <td>-</td> <td>10</td> <td>ms</td> </tr> <tr> <td>T7</td> <td>200</td> <td>-</td> <td>-</td> <td>ms</td> </tr> </tbody> </table>	Parameter	Min.	Typ.	Max.	Unit	T1	0.1	-	10	ms	T2	0.1	40	50	ms	T3	20	-	-	ms	T4	20	-	-	ms	T5	0	0	50	ms	T6	-	-	10	ms	T7	200	-	-	ms	6.5 Power ON/OFF Sequence <table border="1"> <thead> <tr> <th>Parameter</th> <th>Min.</th> <th>Typ.</th> <th>Max.</th> <th>Unit</th> </tr> </thead> <tbody> <tr> <td>T1</td> <td>0.1</td> <td>-</td> <td>10</td> <td>ms</td> </tr> <tr> <td>T2</td> <td>0</td> <td>-</td> <td>50</td> <td>ms</td> </tr> <tr> <td>T3</td> <td>0</td> <td>-</td> <td>10</td> <td>ms</td> </tr> <tr> <td>T4</td> <td>20</td> <td>-</td> <td>-</td> <td>ms</td> </tr> <tr> <td>T5</td> <td>20</td> <td>-</td> <td>-</td> <td>ms</td> </tr> <tr> <td>T6</td> <td>20</td> <td>-</td> <td>-</td> <td>ms</td> </tr> <tr> <td>T7</td> <td>200</td> <td>-</td> <td>-</td> <td>ms</td> </tr> </tbody> </table>	Parameter	Min.	Typ.	Max.	Unit	T1	0.1	-	10	ms	T2	0	-	50	ms	T3	0	-	10	ms	T4	20	-	-	ms	T5	20	-	-	ms	T6	20	-	-	ms	T7	200	-	-	ms	revised																													
Parameter	Min.	Typ.	Max.	Unit																																																																																																													
T1	0.1	-	10	ms																																																																																																													
T2	0.1	40	50	ms																																																																																																													
T3	20	-	-	ms																																																																																																													
T4	20	-	-	ms																																																																																																													
T5	0	0	50	ms																																																																																																													
T6	-	-	10	ms																																																																																																													
T7	200	-	-	ms																																																																																																													
Parameter	Min.	Typ.	Max.	Unit																																																																																																													
T1	0.1	-	10	ms																																																																																																													
T2	0	-	50	ms																																																																																																													
T3	0	-	10	ms																																																																																																													
T4	20	-	-	ms																																																																																																													
T5	20	-	-	ms																																																																																																													
T6	20	-	-	ms																																																																																																													
T7	200	-	-	ms																																																																																																													
	24	7.2.1 Signal for Lamp connector <table border="1"> <thead> <tr> <th>Connector</th> <th>Pin</th> <th>Input</th> <th>Color</th> </tr> </thead> <tbody> <tr> <td rowspan="2">CN1</td> <td>1</td> <td>Hot1</td> <td>Pink</td> </tr> <tr> <td>2</td> <td>Cold1</td> <td>White</td> </tr> <tr> <td rowspan="2">CN2</td> <td>1</td> <td>Hot2</td> <td>Pink</td> </tr> <tr> <td>2</td> <td>Cold2</td> <td>White</td> </tr> </tbody> </table>	Connector	Pin	Input	Color	CN1	1	Hot1	Pink	2	Cold1	White	CN2	1	Hot2	Pink	2	Cold2	White	7.2.1 Signal for Lamp connector <table border="1"> <thead> <tr> <th>Connector</th> <th>Pin</th> <th>Input</th> <th>Color</th> </tr> </thead> <tbody> <tr> <td rowspan="2">CN1</td> <td>1</td> <td>Hot1</td> <td>Pink</td> </tr> <tr> <td>2</td> <td>Cold1</td> <td>Black</td> </tr> <tr> <td rowspan="2">CN2</td> <td>1</td> <td>Hot2</td> <td>Blue</td> </tr> <tr> <td>2</td> <td>Cold2</td> <td>White</td> </tr> </tbody> </table>	Connector	Pin	Input	Color	CN1	1	Hot1	Pink	2	Cold1	Black	CN2	1	Hot2	Blue	2	Cold2	White	Revised																																																																									
Connector	Pin	Input	Color																																																																																																														
CN1	1	Hot1	Pink																																																																																																														
	2	Cold1	White																																																																																																														
CN2	1	Hot2	Pink																																																																																																														
	2	Cold2	White																																																																																																														
Connector	Pin	Input	Color																																																																																																														
CN1	1	Hot1	Pink																																																																																																														
	2	Cold1	Black																																																																																																														
CN2	1	Hot2	Blue																																																																																																														
	2	Cold2	White																																																																																																														

1. Handling Precautions

- 1) Since front polarizer is easily damaged, pay attention not to scratch it.
- 2) Be sure to turn off power supply when inserting or disconnecting from input connector.
- 3) Wipe off water drop immediately. Long contact with water may cause discoloration or spots.
- 4) When the panel surface is soiled, wipe it with absorbent cotton or other soft cloth.
- 5) Since the panel is made of glass, it may break or crack if dropped or bumped on hard surface.
- 6) Since CMOS LSI is used in this module, take care of static electricity and insure human earth when handling.
- 7) Do not open or modify the Module Assembly.
- 8) Do not press the reflector sheet at the back of the module to any directions.
- 9) In case if a Module has to be put back into the packing container slot after once it was taken out from the container, do not press the center of the CCFL reflector edge. Instead, press at the far ends of the CCFL Reflector edge softly. Otherwise the TFT Module may be damaged.
- 10) At the insertion or removal of the Signal Interface Connector, be sure not to rotate nor tilt the Interface Connector of the TFT Module.
- 11) After installation of the TFT Module into an enclosure, do not twist nor bend the TFT Module even momentary. At designing the enclosure, it should be taken into consideration that no bending/twisting forces are applied to the TFT Module from outside. Otherwise the TFT Module may be damaged.
- 12) Cold cathode fluorescent lamp in LCD contains a small amount of mercury. Please follow local ordinances or regulations for disposal.
- 13) Small amount of materials having no flammability grade is used in the LCD module. The LCD module should be supplied by power complied with requirements of Limited Power Source (IEC60950 or UL1950), or be applied exemption.
- 14) The LCD module is designed so that the CCFL in it is supplied by Limited Current Circuit (IEC60950 or UL1950). Do not connect the CCFL in Hazardous Voltage Circuit.



2. General Description

M190EG01 V0 is a Color Active Matrix Liquid Crystal Display composed of a TFT-LCD panel, a driver circuit, and backlight system. The screen format is intended to support the SXGA (1280(H) x 1024(V)) screen and 16.7M colors (RGB 8-bits data). All input signals are LVDS interface compatible. Inverter card of backlight is not included. M190EG01 V0 is designed for a display unit of personal computer.



2.1 Display Characteristics

The following items are characteristics summary on the table under 25 condition:

Items	Unit	Specifications
Screen Diagonal	[mm]	482.6 (19.0")
Active Area	[mm]	376.32 (H) x 301.056 (V)
Pixels H x V		1280(x3) x 1024
Pixel Pitch	[mm]	0.294 (per one triad) x 0.294
Pixel Arrangement		R.G.B. Vertical Stripe
Display Mode		Normally Black
White Luminance	[cd/m ²]	300 (center, Typ) @ 7.5mA
Contrast Ratio		1000 : 1 (Typ)
Optical ResponseTime	[msec]	8ms GTG (Avg. Typ.); 20 ms(Typ, on/off)
Nominal Input Voltage VDD	[Volt]	+5.0 V
Power Consumption	[Watt]	28 W (Typ) (w/o Inverter, All white pattern)
Weight	[Grams]	2500 (Typ) ; 2700 (Max)
Physical Size (H x V x D)	[mm]	396 (H) x 324 (V) x 17.5 (D) (Typ)
Electrical Interface		Dual channel LVDS
Surface Treatment		Hard-coating (3H), Non-Glare treatment
Support Color		16.7M colors (RGB 8-bit data)
Temperature Range Operating Storage (Non-Operating)	[°C] [°C]	0 to +50 -20 to +60
RoHS Compliance		RoHS Compliance



2.2 Optical Characteristics

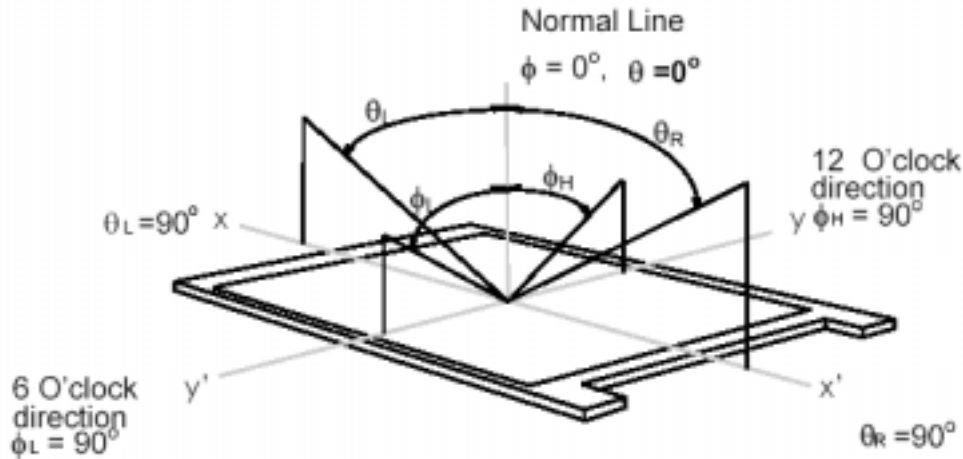
The optical characteristics are measured under stable conditions at 25 (Room Temperature):

Item	Unit	Conditions	Min.	Typ.	Max.	Note	
Viewing Angle	[degree]	Horizontal (Right) CR = 10 (Left)	75 75	89 89	-	1	
		Vertical (Up) CR = 10 (Down)	75 75	89 89	-		
Luminance Uniformity	[%]	9 Points	75	80	-	2, 3	
Response time	[msec]	Rising		15	25	4,6	
		Falling		5	15	4,6	
		Rising + Falling			20	40	4,6
		Grey to Grey (Avg.)	-	8	16	4,6	
Color / Chromaticity Coordinates (CIE 1931)		Red x	0.617	0.647	0.677	4	
		Red y	0.31	0.34	0.37		
		Green x	0.263	0.293	0.323		
		Green y	0.571	0.601	0.641		
		Blue x	0.112	0.142	0.172		
		Blue y	0.037	0.067	0.099		
		White x	0.283	0.313	0.34		
White y	0.299	0.329	0.359				
White Luminance (At CCFL= 7.5mA)	[cd/m ²]		240	300	-	4	
Contrast Ratio			750	1000	-	4	
Cross Talk (At 75Hz)	[%]		-	-	1.5	5	
Flicker	[dB]		-	-	-20	7	

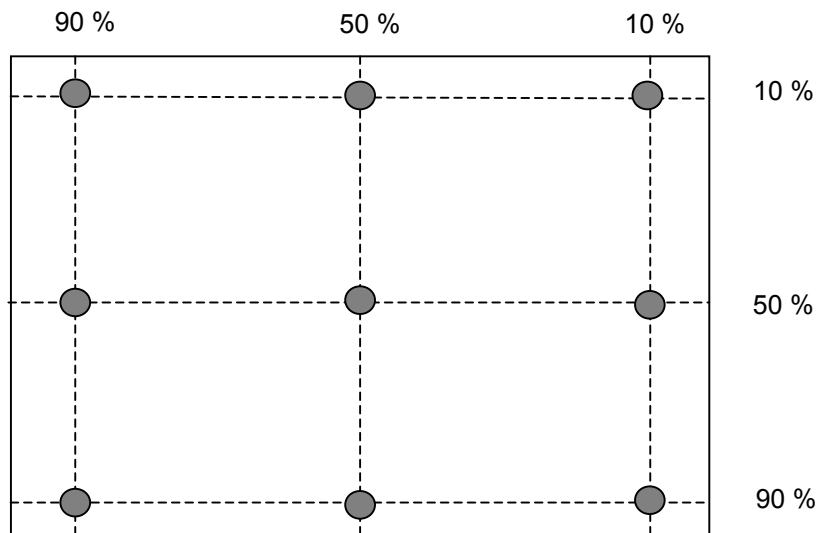
Optical Equipment: BM-5A, PR880, SR3, CS1000 or equivalent.

Note 1: Definition of viewing angle

Viewing angle is the measurement of contrast ratio ≥ 10 , at the screen center, over a 180° horizontal and 180° vertical range (off-normal viewing angles). The 180° viewing angle range is broken down as follows; 90° () horizontal left and right and 90° () vertical, high (up) and low (down). The measurement direction is typically perpendicular to the display surface with the screen rotated about its center to develop the desired measurement viewing angle.



Note 2: 9 points position

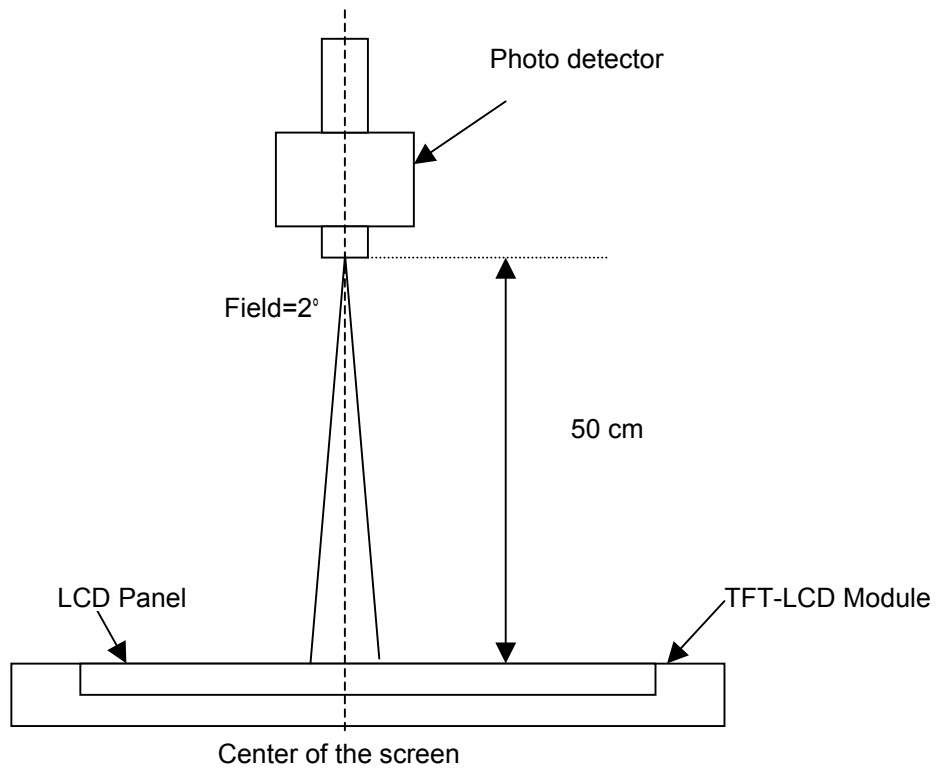


Note 3: The luminance uniformity of 9 points is defined by dividing the maximum luminance values by the minimum test point luminance

$$w_9 = \frac{\text{Minimum Luminance of 9 points}}{\text{Maximum Luminance of 9 points}}$$

Note 4: Measurement method

The LCD module should be stabilized at given temperature for 30 minutes to avoid abrupt temperature change during measuring. In order to stabilize the luminance, the measurement should be executed after lighting Backlight for 30 minutes in a stable, windless and dark room.



Note 5: Definition of Cross Talk (CT)

$$CT = | YB - YA | / YA \times 100 (\%)$$

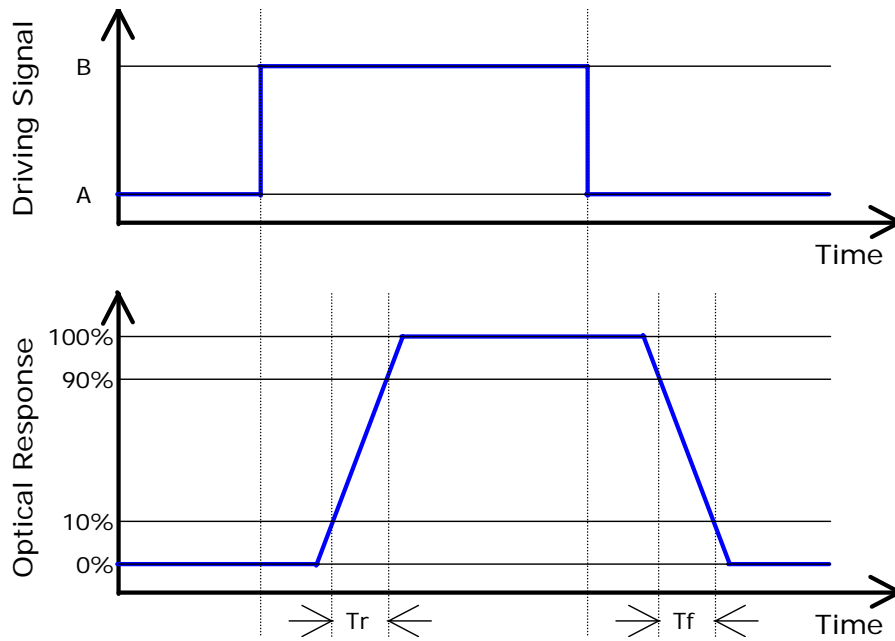
Where

YA = Luminance of measured location without gray level 0 pattern (cd/m2)

YB = Luminance of measured location with gray level 0 pattern (cd/m2)



Note 6: Definition of response time:

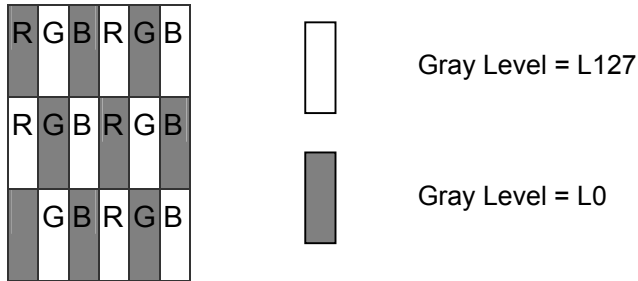


Algorithm:

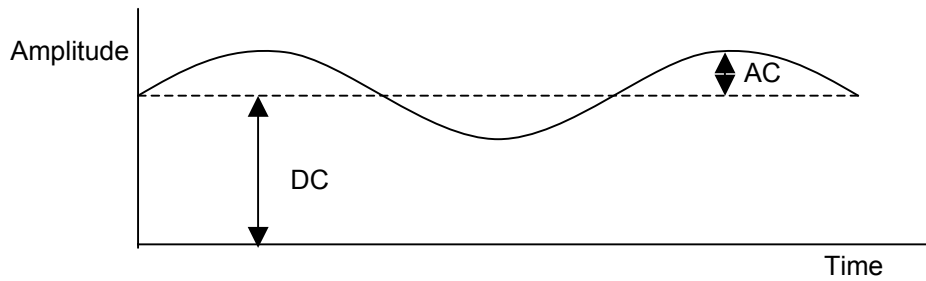
$|\text{Level A} - \text{Level B}| \geq 16$ then the average of Grey-to-Grey response time is 8ms. (F= 60 Hz).

T_{rR} (rising time; from “All Black” to “All White”) + T_{rF} (Falling time; from “All White” to “All Black”) = 20ms(typ).

Note 7: Subchecker Pattern



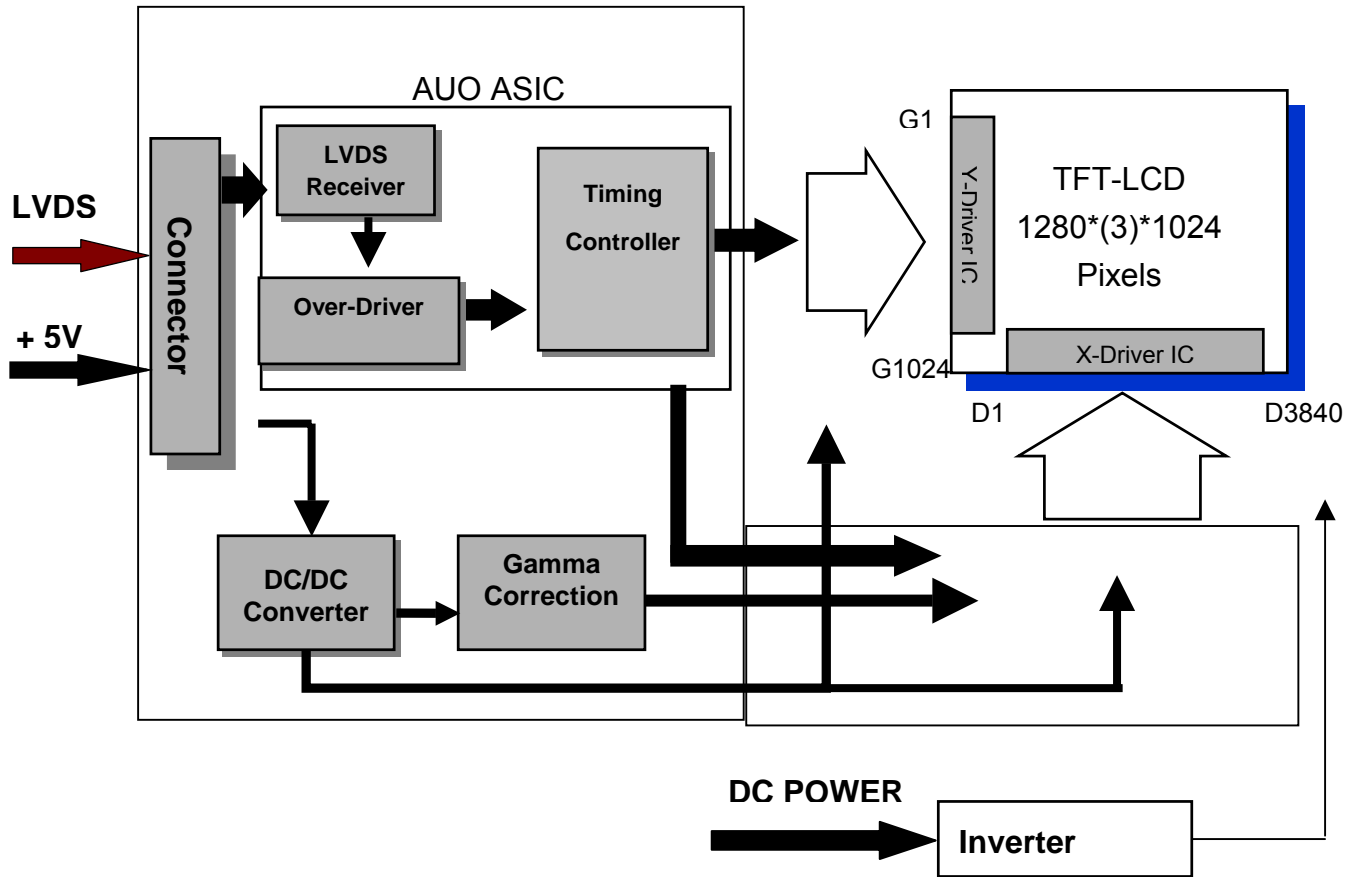
Method: Record dBV & DC value with (WESTAR)TRD-100



$$\text{Flicker (dB)} = 20 \log \frac{\text{AC Level(at 30 Hz)}}{\text{DC Level}}$$

3. Functional Block Diagram

The following diagram shows the functional block of the 19.0 inches Color TFT-LCD Module:





4. Absolute Maximum Ratings

Absolute maximum ratings of the module is as following:

4.1 Absolute Ratings of TFT LCD Module

Item	Symbol	Min.	Max.	Unit	Conditions
Logic/LCD Drive Voltage	VDD	-0.3	+6	[Volt]	Note 1, 2

4.2 Absolute Ratings of Backlight Unit

Item	Symbol	Min.	Max.	Unit	Conditions
CCFL Current	ICFL	-	8	[mA] rms	Note 1, 2

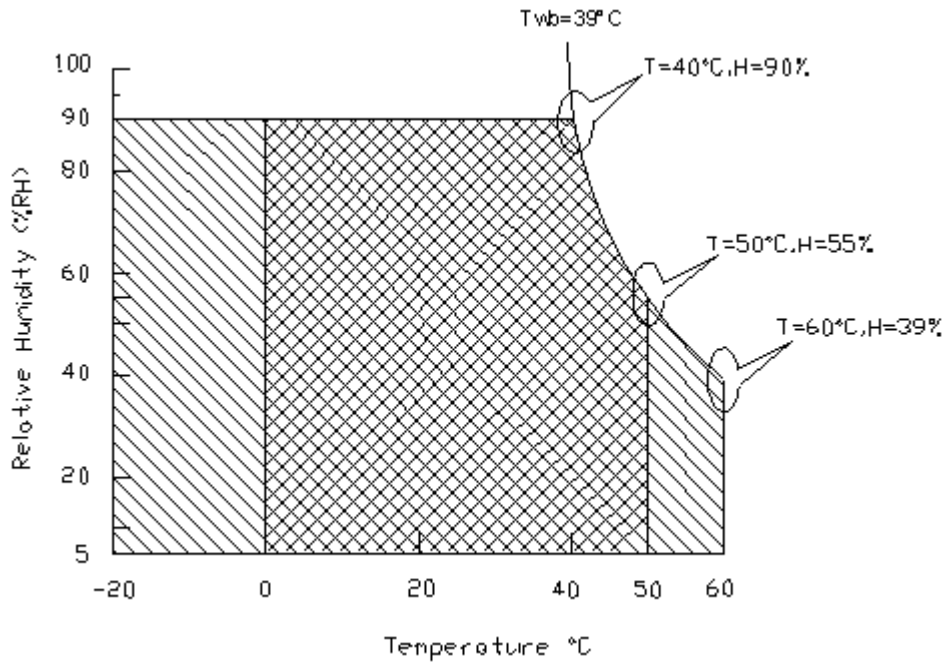
4.3 Absolute Ratings of Environment

Item	Symbol	Min.	Max.	Unit	Conditions
Operating Temperature	TOP	0	+50	[°C]	Note 3
Operation Humidity	HOP	5	90	[%RH]	
Storage Temperature	TST	-20	+60	[°C]	
Storage Humidity	HST	5	90	[%RH]	

Note 1: With in $T_a = 25$

Note 2: Permanent damage to the device may occur if exceed maximum values

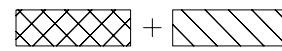
Note 3: For quality performance, please refer to AUO IIS (Incoming Inspection Standard).



Operating Range



Storage Range



5. Electrical characteristics

5.1 TFT LCD Module

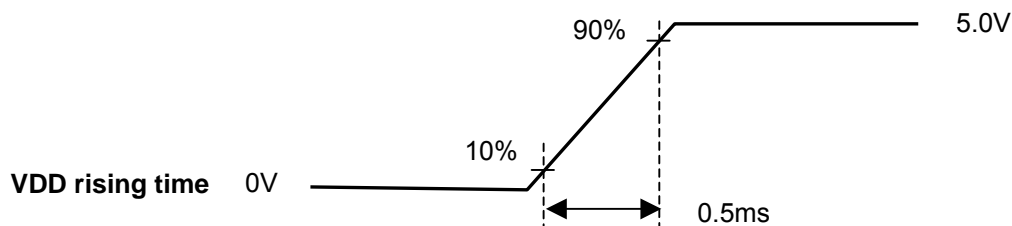
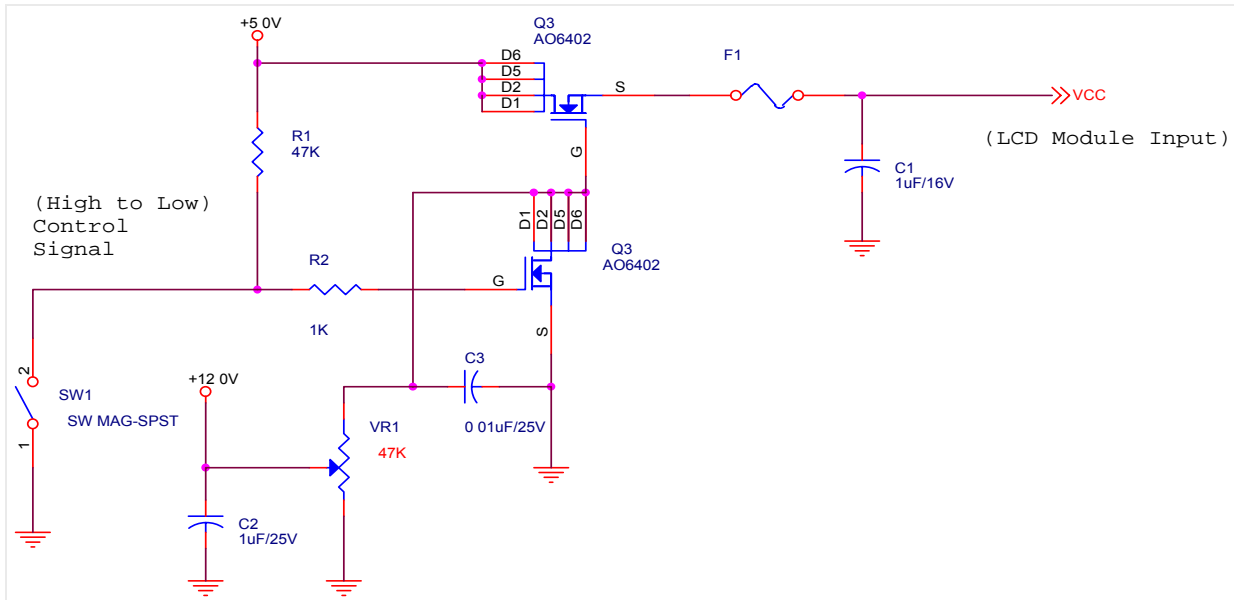
5.1.1 Power Specification

Input power specifications are as follows:

Symble	Parameter	Min.	Typ.	Max.	Unit	Condition
VDD	Logic/LCD Drive Voltage	4.5	5.0	5.5	[Volt]	Load Capacitance 20uF
IDD	Input Current	-	TBD	TBD	[A]	VDD= 5.0V, All Black Pattern At 75Hz
PDD	VDD Power	-	TBD	TBD	[Watt]	VDD= 5.0V, All Black Pattern At 75Hz , Note 1
IRush	Inrush Current	-	-	TBD	[A]	Note 2
VDDrp	Allowable Logic/LCD Drive Ripple Voltage	-	-	100	[mV] p-p	VDD= 5.0V, All Black Pattern At 75Hz

Note 1: The variance of VDD power consumption is $\pm 10\%$.

Note 2: Measurement conditions:



5.2 Backlight Unit

Parameter guideline for CCFL Inverter is under stable conditions at 25 (Room Temperature):

Parameter	Min.	Typ.	Max.	Unit	Condition
CCFL Standard Current(ISCFL)	7.0	7.5	8.0	[mA] rms	Note 2
CCFL Operation Current(IRCFL)	3.0	7.5	8.0	[mA] rms	Note 2
CCFL Frequency(FCFL)	40	60	80	[KHz]	Note 3,4
CCFL Ignition Voltage(ViCFL, Ta= 0)	1690	-	-	[Volt] rms	Note 5
CCFL Ignition Voltage(ViCF, Ta= 25)	1300	-	-	[Volt] rms	
CCFL Operation Voltage (VCFL)	-	653 @7.5mA	796 @3mA	[Volt] rms	Note 6
CCFL Power Consumption(PCFL)	-	19.6	20.56	[Watt]	Note 6
CCFL Life Time(LTCFL)	40,000	50,000	-	[Hour]	Note 7

Note 1: Typ. are AUO recommended design points.

- *1 All of characteristics listed are measured under the condition using the AUO test inverter.
- *2 In case of using an inverter other than listed, it is recommended to check the inverter carefully. Sometimes, interfering noise stripes appear on the screen, and substandard luminance or flicker at low power may happen.
- *3 In designing an inverter, it is suggested to check safety circuit very carefully. Impedance of CCFL, for instance, becomes more than 1 [M ohm] when CCFL is damaged.
- *4 Generally, CCFL has some amount of delay time after applying kick-off voltage. It is recommended to keep on applying kick-off voltage for 1 [Sec] until discharge.
- *5 Reducing CCFL current increases CCFL discharge voltage and generally increases CCFL discharge frequency. So all the parameters of an inverter should be carefully designed so as not to produce too much leakage current from high-voltage output of the inverter.

Note 2: CCFL standard current is measured at 25±2 .

Note 3: CCFL discharge frequency should be carefully determined to avoid interference between inverter and TFT LCD.

Note 4: The frequency range will not affect to lamp life and reliability characteristics.

Note 5: CCFL inverter should be able to give out a power that has a generating capacity of over 1,690 voltage. Lamp units need 1,690 voltage minimum for ignition.

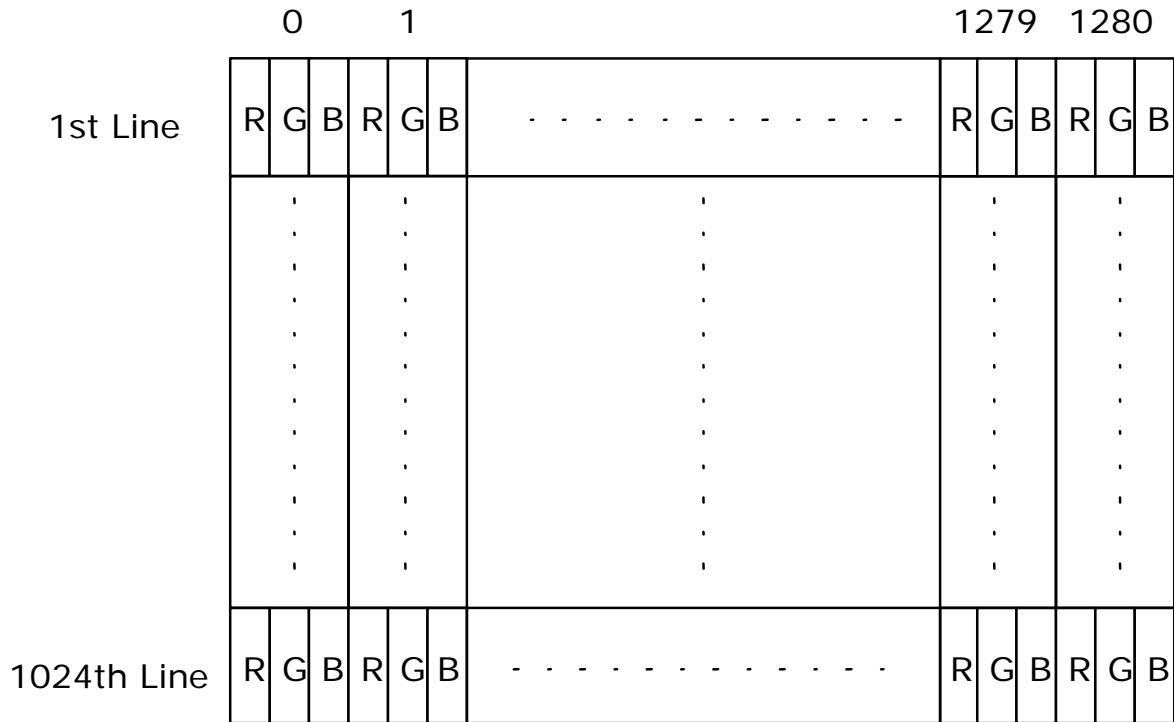
Note 6: The variance of CCFL power consumption is ±10%. Calculator value for reference (ISCFL × VCFL × 4 = PCFL)

Note 7: Definition of life: brightness becomes 50% or less than the minimum luminance value of CCFL. The typical life time of CCFL is on the condition at 7.5 mA lamp current.

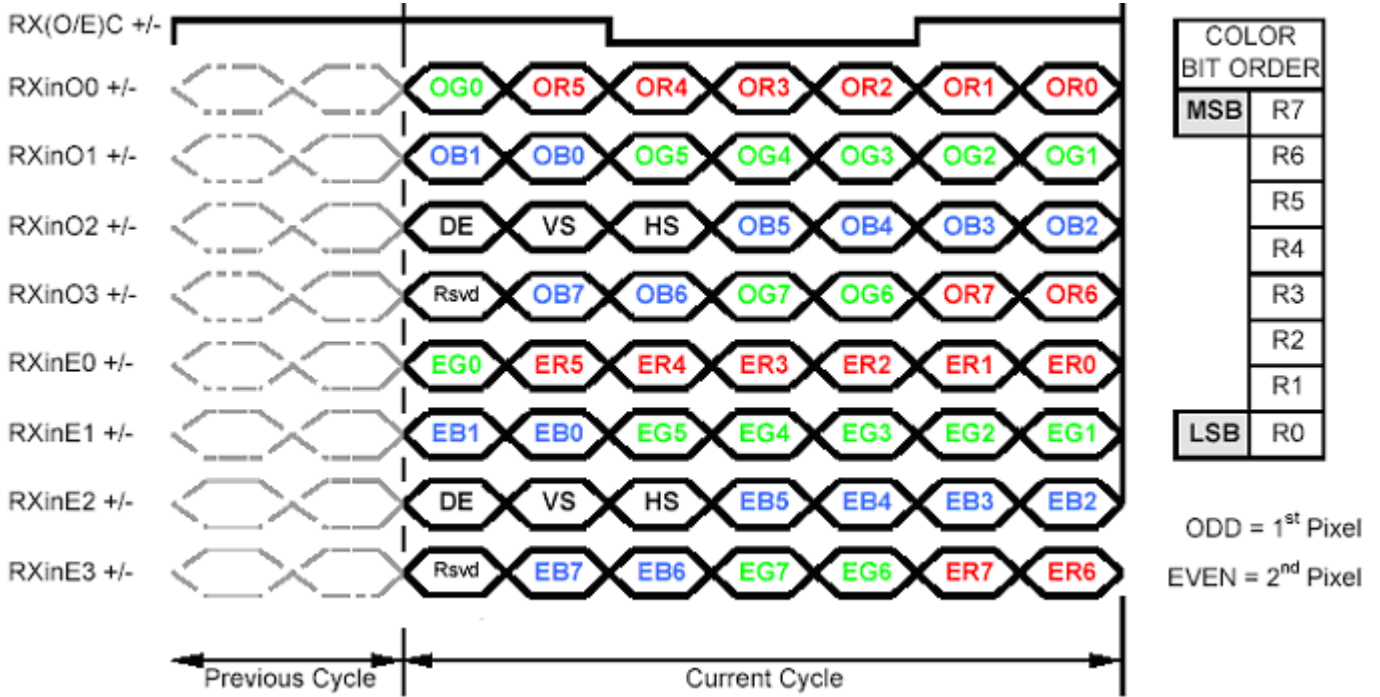
6. Signal Characteristic

6.1 Pixel Format Image

Following figure shows the relationship of the input signals and LCD pixel format.



6.2 The Input Data Format



Note1: Normally, DE, VS, HS on EVEN channel are not used.

Note2: Please follow PSWG.

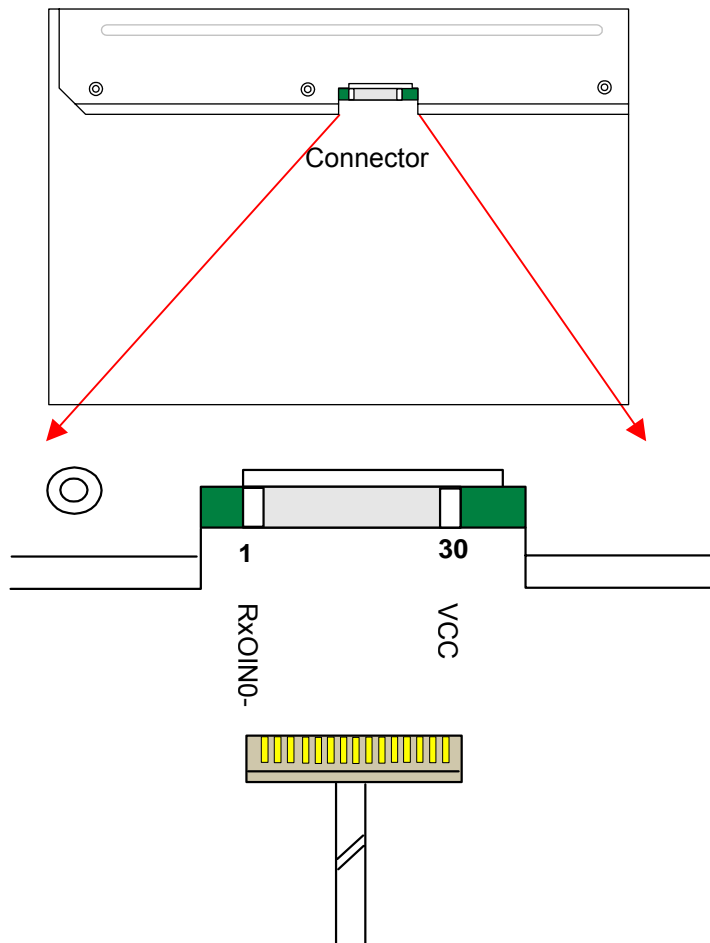
Note3: 8-bit in

6.3 Signal Description

The module using a pair of LVDS receiver SN75LVDS82(Texas Instruments) or compatible. LVDS is a differential signal technology for LCD interface and high speed data transfer device. Transmitter shall be SN75LVDS83(negative edge sampling) or compatible. The first LVDS port(RxOxxx) transmits odd pixels while the second LVDS port(RxExxx) transmits even pixels.

PIN #	SIGNAL NAME	DESCRIPTION
1	RxOIN0-	Negative LVDS differential data input (Odd data)
2	RxOIN0+	Positive LVDS differential data input (Odd data)
3	RxOIN1-	Negative LVDS differential data input (Odd data)
4	RxOIN1+	Positive LVDS differential data input (Odd data)
5	RxOIN2-	Negative LVDS differential data input (Odd data, H-Sync,V-Sync,DSPTMG)
6	RxOIN2+	Positive LVDS differential data input (Odd data, H-Sync,V-Sync,DSPTMG)
7	VSS	Power Ground
8	RxOCLKIN-	Negative LVDS differential clock input (Odd clock)
9	RxOCLKIN+	Positive LVDS differential clock input (Odd clock)
10	RxOIN3-	Negative LVDS differential data input (Odd data)
11	RxOIN3+	Positive LVDS differential data input (Odd data)
12	RxEIN0-	Negative LVDS differential data input (Even data)
13	RxEIN0+	Positive LVDS differential data input (Even data)
14	VSS	Power Ground
15	RxEIN1-	Positive LVDS differential data input (Even data)
16	RxEIN1+	Negative LVDS differential data input (Even data)
17	VSS	Power Ground
18	RxEIN2-	Negative LVDS differential data input (Even data)
19	RxEIN2+	Positive LVDS differential data input (Even data)
20	RxECLKIN-	Negative LVDS differential clock input (Even clock)
21	RxECLKIN+	Positive LVDS differential clock input (Even clock)
22	RxEIN3-	Negative LVDS differential data input (Even data)
23	RxEIN3+	Positive LVDS differential data input (Even data)
24	VSS	Power Ground
25	VSS	Power Ground
26	NC	No Connection (for AUO test)
27	VSS	Power Ground
28	VCC	+5.0V Power Supply
29	VCC	+5.0V Power Supply
30	VCC	+5.0V Power Supply

Note1: Start from left side



Note2: Input signals of odd and even clock shall be the same timing.

Note3: Please follow PSWG.

6.4 Interface Timing

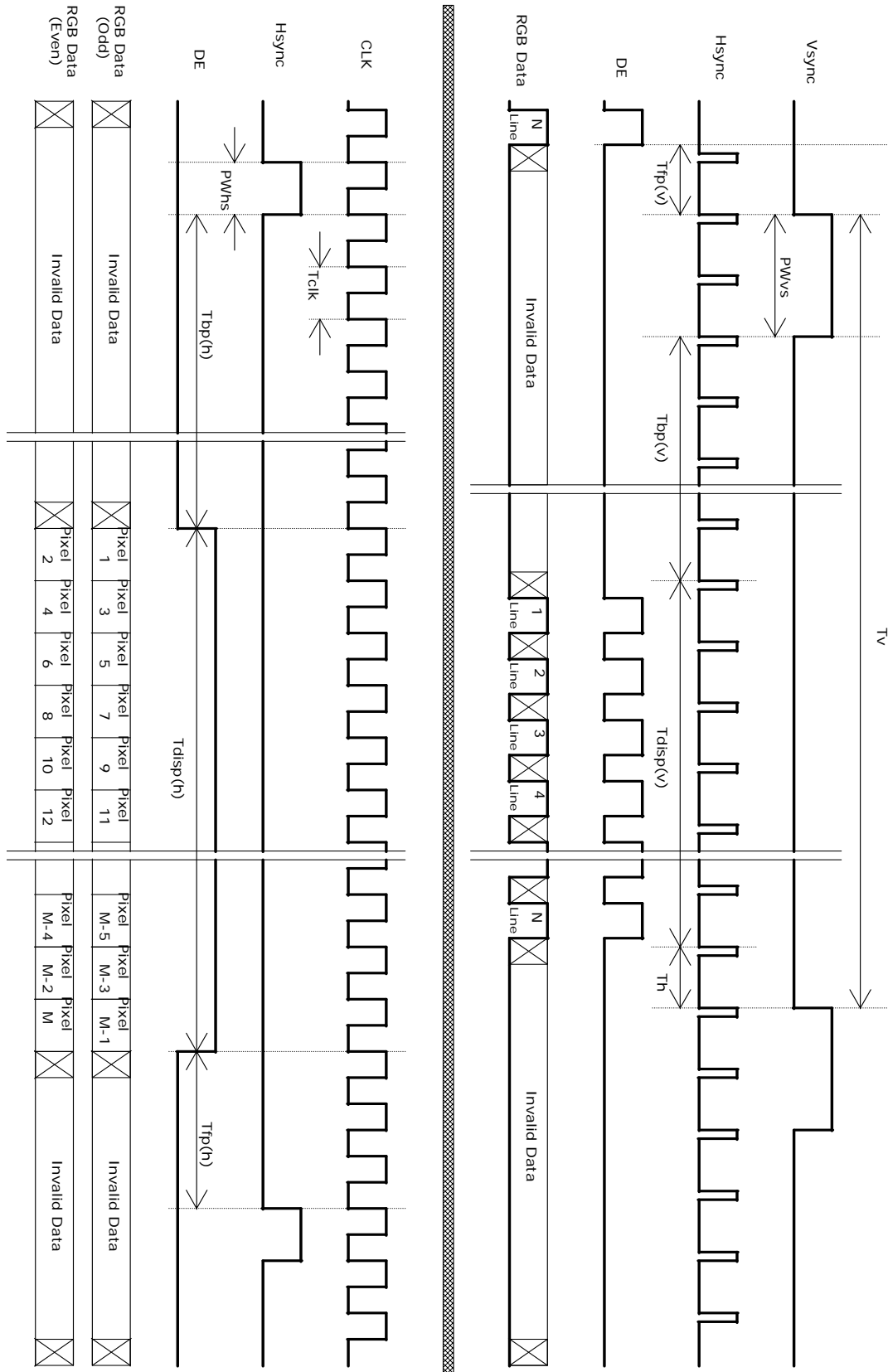
6.4.1 Timing Characteristics

Basically, interface timings described here is not actual input timing of LCD module but output timing of SN75LVDS82DGG (Texas Instruments) or equivalent.

Item	Symbol	Min	Typ	Max	Unit	
Data CLK	Tclk	30	54	83	MHz	
H-section	Period	Th	720	844	1024	Tclk
	Display Area	Tdisp(h)	640	640	640	Tclk
V-section	Period	Tv	1035	1066	2048	Th
	Display Area	Tdisp(v)	1024	1024	1024	Th
Frame Rate	F	50	60	75	Hz	

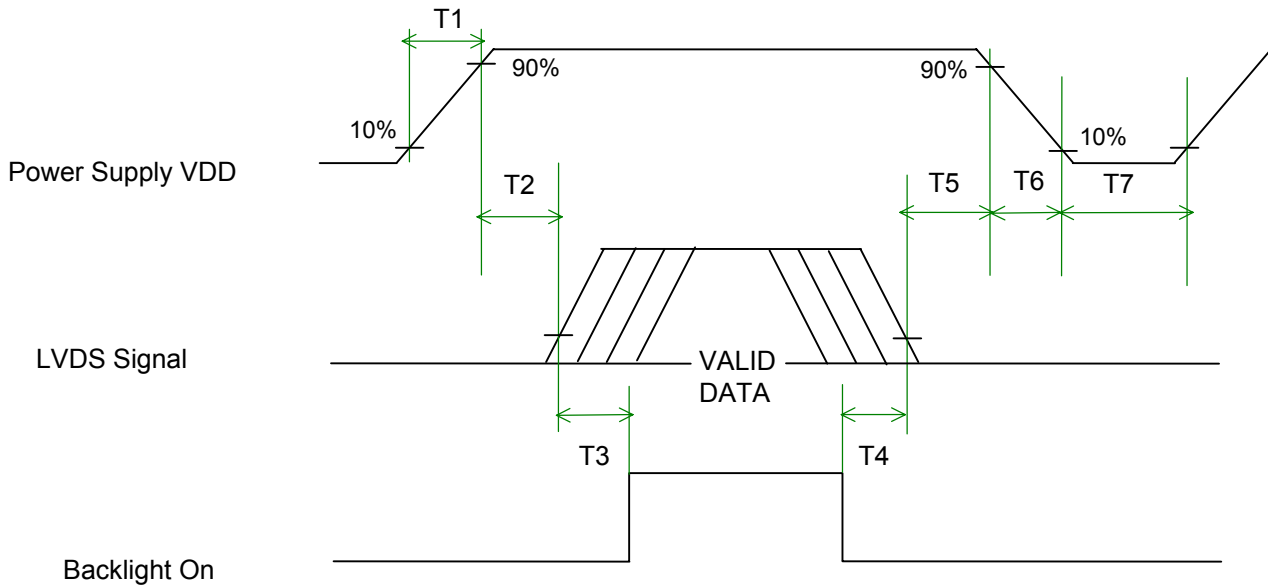
Note : DE mode only

6.4.2 Timing Diagram



6.5 Power ON/OFF Sequence

VDD power and lamp on/off sequence is as follows. Interface signals are also shown in the chart. Signals from any system shall be Hi-Z state or low level when VDD is off.



Power Sequence Timing

Parameter	Value			Unit
	Min.	Typ.	Max.	
T1	0.5	-	10	[ms]
T2	0	-	50	[ms]
T3	0	-	50	[ms]
T4	500	-	-	[ms]
T5	200	-	-	[ms]
T6	200	-	-	[ms]
T7	1000	-	-	[ms]

Note: The values of the table are follow PSWG.

7. Connector & Pin Assignment

Physical interface is described as for the connector on module. These connectors are capable of accommodating the following signals and will be following components.

7.1 TFT LCD Module

7.1.1 Connector

Connector Name / Designation	Interface Connector / Interface card
Manufacturer	JAE or compatible
Type Part Number	FI-XB30SSL-HF15
Mating Housing Part Number	FI-X30HL

7.1.2 Pin Assignment

Pin#	Signal Name	Pin#	Signal Name
1	RxOIN0-	2	RxOIN0+
3	RxOIN1-	4	RxOIN1+
5	RxOIN2-	6	RxOIN2+
7	VSS	8	RxOCLKIN-
9	RxOCLKIN+	10	RxOIN3-
11	RxOIN3+	12	RxEIN0-
13	RxEIN0+	14	VSS
15	RxEIN1-	16	RxEIN1+
17	VSS	18	RxEIN2-
19	RxEIN2+	20	RxECLKIN-
21	RxECLKIN+	22	RxEIN3-
23	RxEIN3+	24	VSS
25	VSS	26	NC
27	VSS	28	VCC
29	VCC	30	VCC

7.2 Backlight Unit

Physical interface is described as for the connector on module. These connectors are capable of accommodating the following signals and will be following components.

Connector Name / Designation	Lamp Connector / Backlight lamp
Manufacturer	JST
Type Part Number	BHSR-02VS-1
Mating Type Part Number	SM02B-BHSS-1-TB

7.2.1 Signal for Lamp connector

	Connector No.	Pin No.	Input	Color	Function
Upper	CN1	1	Hot1	Pink	High Voltage
		2	Cold1	Black	Low Voltage
	CN2	1	Hot2	Blue	High Voltage
		2	Cold2	White	Low Voltage

	Connector No.	Pin No.	Input	Color	Function
Lower	CN3	1	Hot1	Pink	High Voltage
		2	Cold1	Black	Low Voltage
	CN4	1	Hot2	Blue	High Voltage
		2	Cold2	White	Low Voltage



8. Reliability Test

Environment test conditions are listed as following table.

Items	Required Condition	Note
Temperature Humidity Bias (THB)	Ta= 50 , 80%RH, 300hours	
High Temperature Operation (HTO)	Ta= 50 , 50%RH, 300hours	
Low Temperature Operation (LTO)	Ta= 0 , 300hours	
High Temperature Storage (HTS)	Ta= 60 , 300hours	
Low Temperature Storage (LTS)	Ta= -20 , 300hours	
Vibration Test (Non-operation)	Acceleration: 1.5 G Wave: Random Frequency: 10 - 200 - 10 Hz Sweep: 30 Minutes each Axis (X, Y, Z)	
Shock Test (Non-operation)	Acceleration: 50 G Wave: Half-sine Active Time: 20 ms Direction: ±X, ±Y, ±Z (one time for each Axis)	
Drop Test	Height: 60 cm, package test	
Thermal Shock Test (TST)	-20 /30min, 60 /30min, 100 cycles	1
On/Off Test	On/10sec, Off/10sec, 30,000 cycles	
ESD (ElectroStatic Discharge)	Contact Discharge: ± 8KV, 150pF(330Ω) 1sec, 8 points, 25 times/ point.	2
	Air Discharge: ± 15KV, 150pF(330Ω) 1sec 8 points, 25 times/ point.	
Altitude Test	Operation:10,000 ft Non-Operation:30,000 ft	

Note 1: The TFT-LCD module will not sustain damage after being subjected to 100 cycles of rapid temperature change. A cycle of rapid temperature change consists of varying the temperature from -20 to 60 , and back again. Power is not applied during the test. After temperature cycling, the unit is placed in normal room ambient for at least 4 hours before power on.

Note 2: According to EN61000-4-2 , ESD class B: Some performance degradation allowed. No data lost. Self-recoverable. No hardware failures.

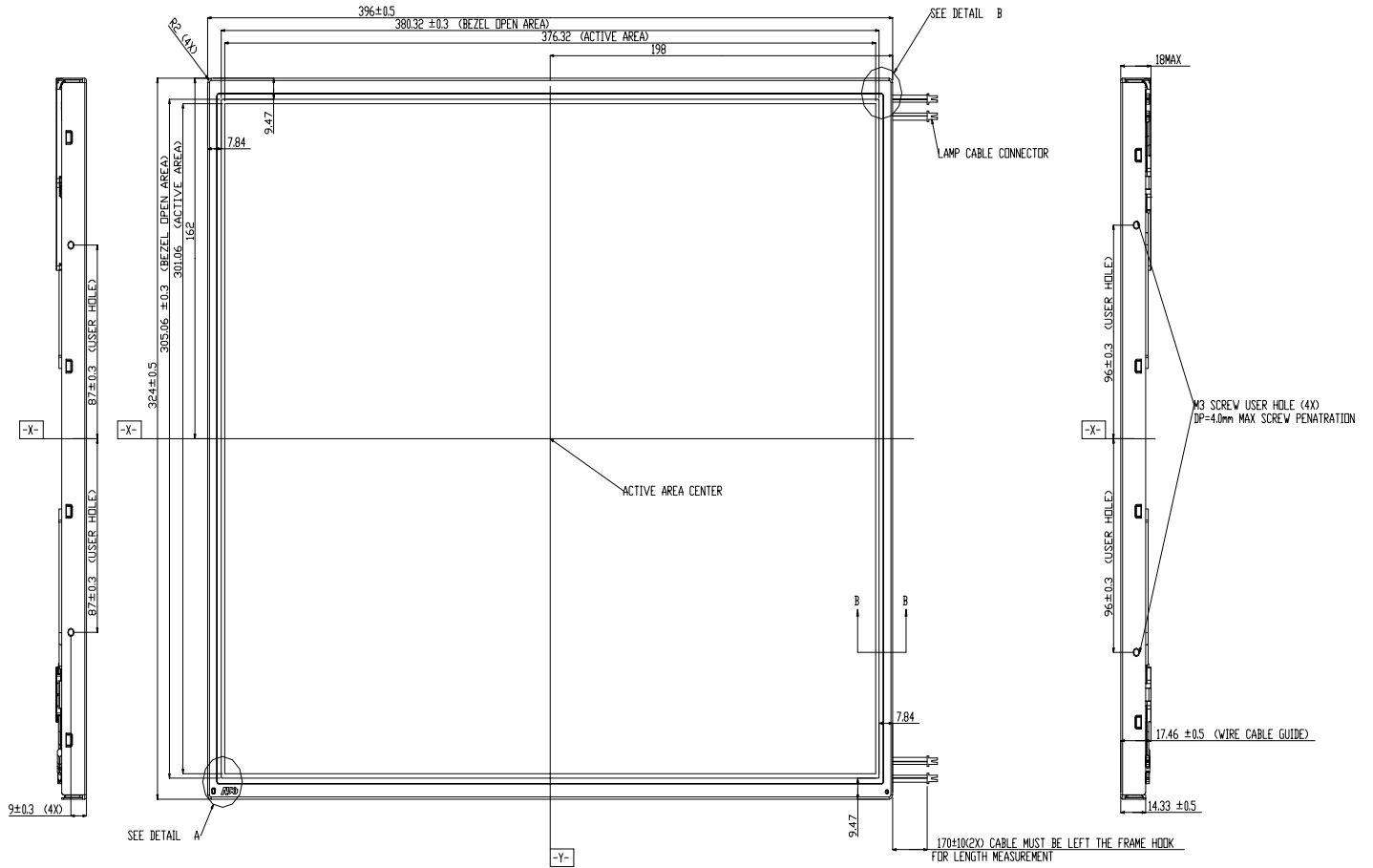


9. Shipping Label

The shipping label format is shown as below.



10. Mechanical Characteristic



NOTE:
 1.PRELIMINARY DRAWING FOR REFERENCE ONLY.
 2.THE DIMENSION EXCLUDES DEFORMATION.
 3.MODULE THICKNESS SHOULD BE 18mm MAX.
 4.UNSPECIFIED TOLERANCE MUST FOLLOW TOLERANCE TABLE.
 5.LAMP CABLE CONNECTOR TO BE JST BHSR-02VS-1
 6.L/F CONNECTOR TO BE JAE F1-XB30SL-HF15.
 7.M3 USER HOLE SCREW TORQUE 4.0N_{cm} MAX.
 8.USER HOLE SCREW PENETRATION 4.0mm MAX.
 9.DIMENSION TOLERANCE 1a-1d < L0, 1c-1k < L0
 10.CABLE LENGTH IS 170±10mm FROM THE END OF HI-VOLTAGE.

